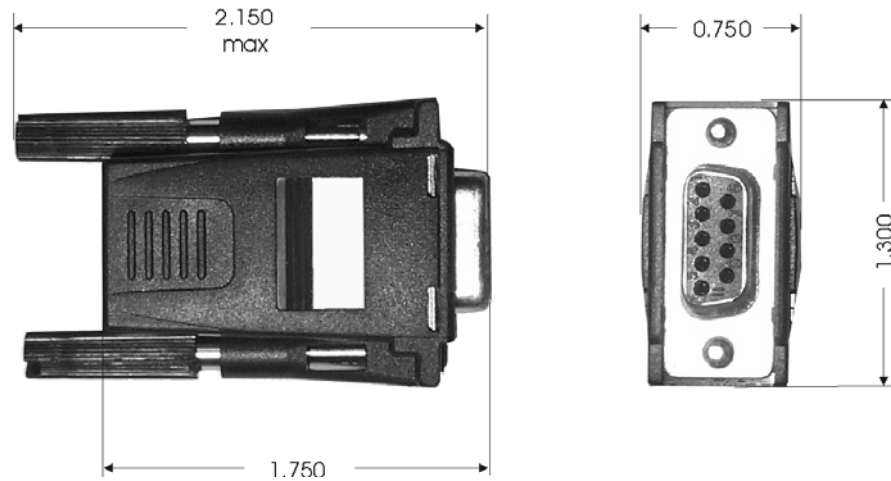


Logosol RS-232 to LDCN NODE Converter LS-802

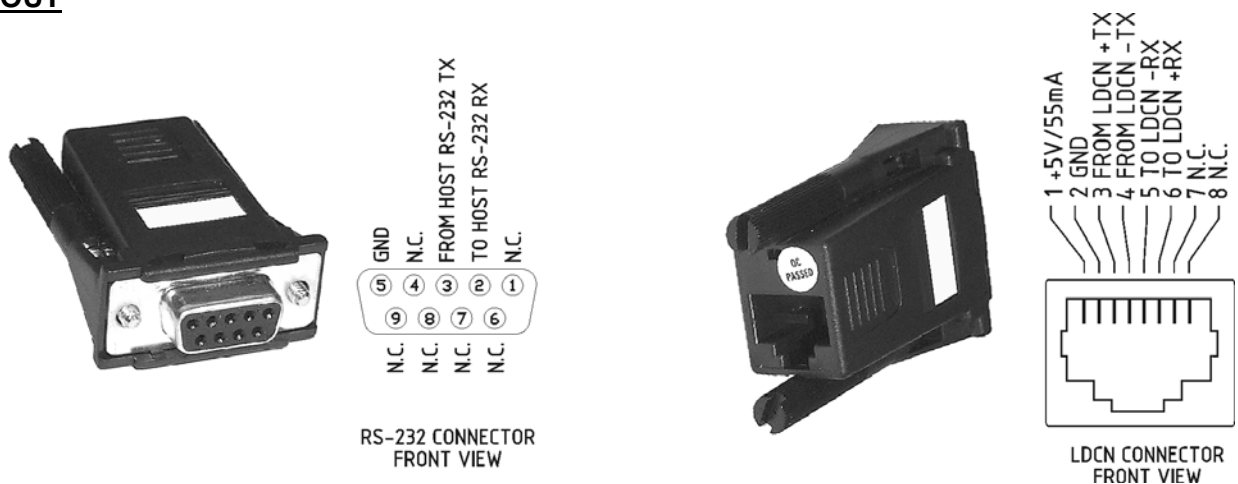
Doc. # 711802001 / Rev. 1.0, 02/03/2003

DIMENSIONAL DRAWING



BODY MATERIAL - Black plastic

PINOUT



INTERFACING

- LS-802 should be plugged directly to the Host RS-232 connector without any cables.
- The cable length between LS-802 and the first LDCN NODE should not exceed 50 ft.

ORDERING GUIDE

PART NUMBER	MODEL	DESCRIPTION
921802001	LS-802	RS232 to LDCN NODE Converter
131320015	LS-C8005-YW	5' Network cable
131320022	LS-C8036-YW	3' Network cable
131320032	LS-C8120-YW	10' Network cable